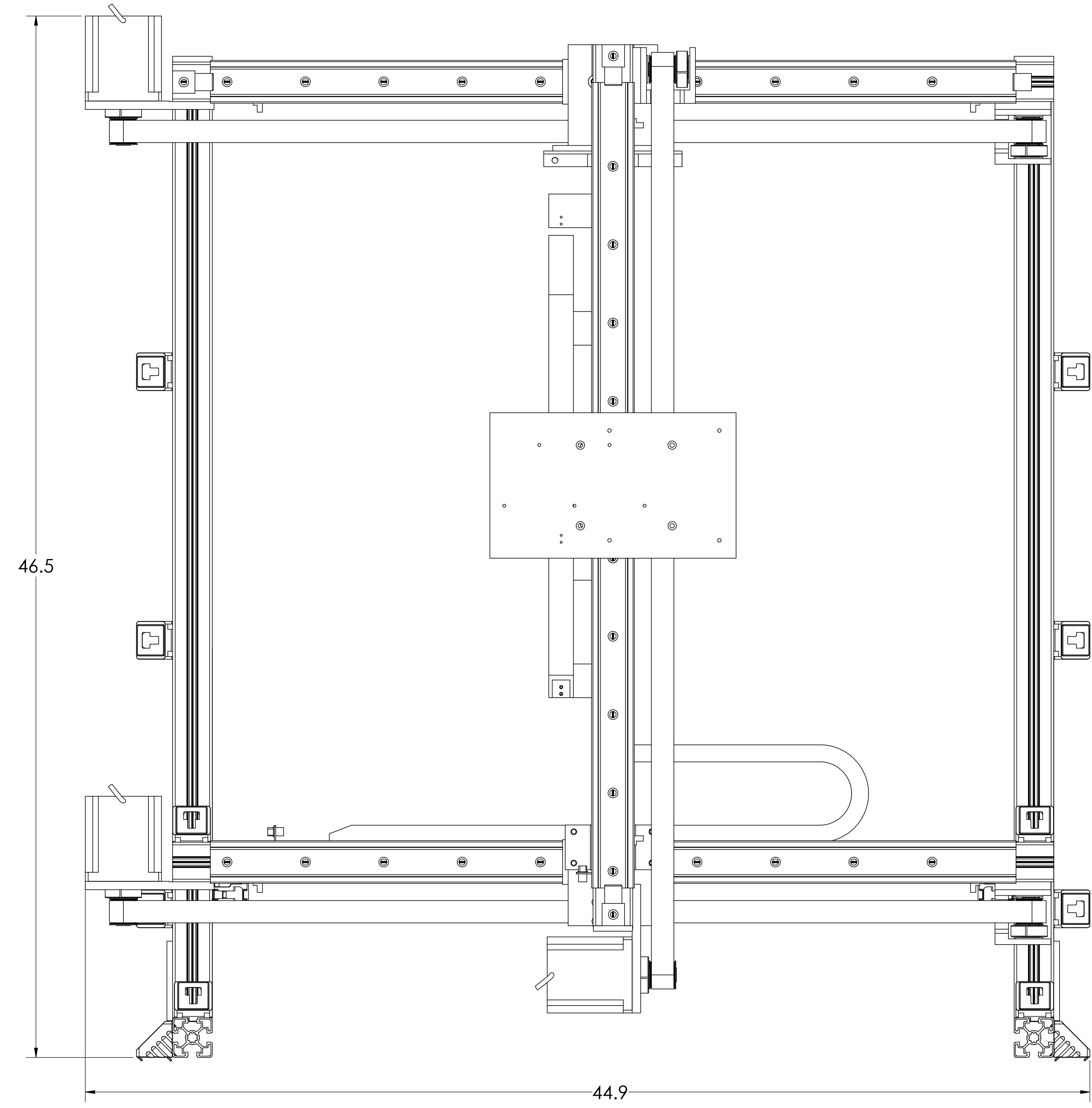
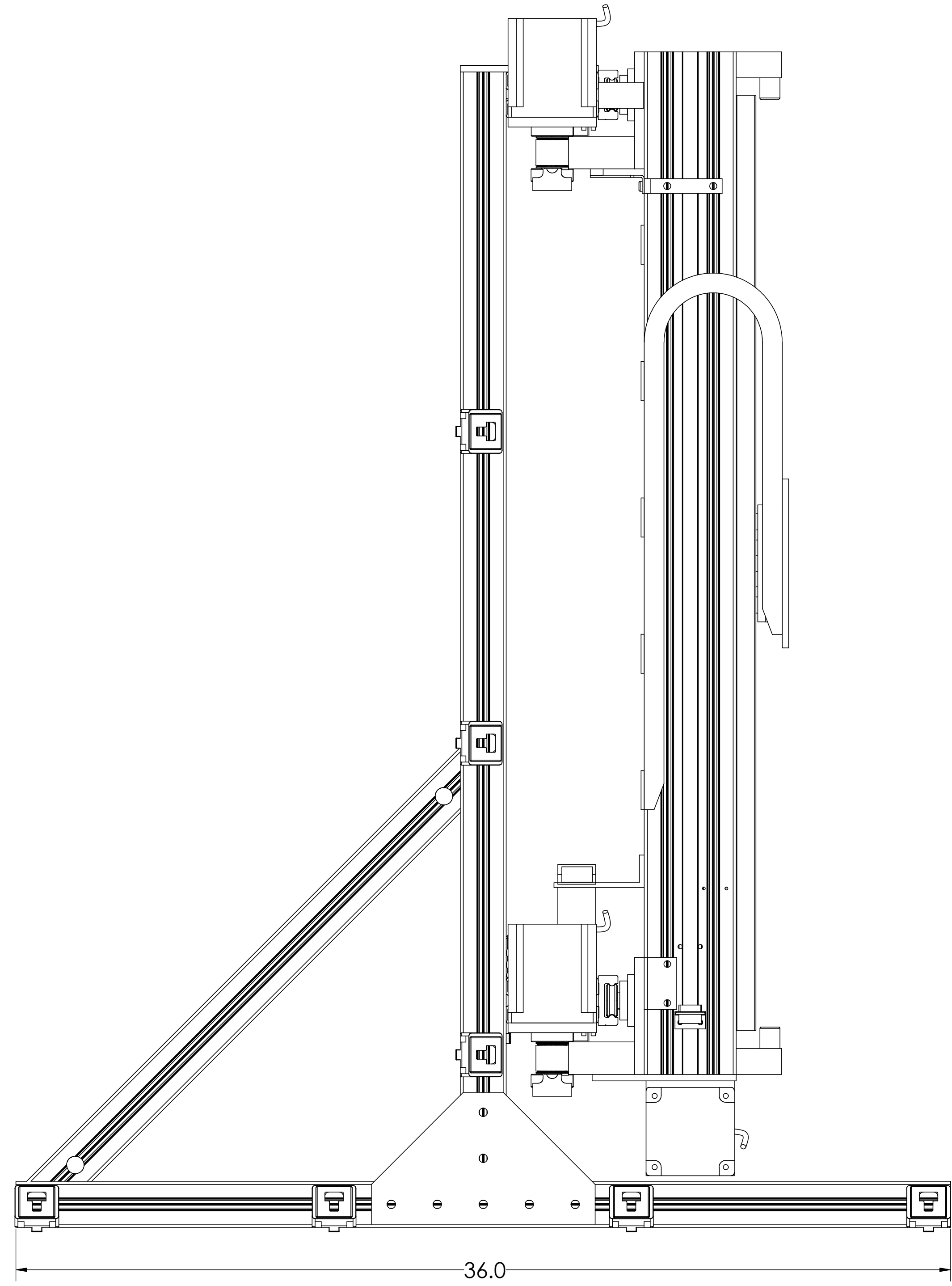


These drawings and specifications are the property of H2W Technologies, Inc. They are issued in confidence and shall not be reproduced, copied, or used without written permission from H2W Technologies, Inc.

FLOOR MOUNT

| REVISION TABLE | | | | |
|----------------|------------------|---------|----------|---------|
| REV. ECN# | DESCRIPTION | REV. BY | APPROVED | DATE |
| --- | Original Drawing | OOG | MPW | 9-26-12 |

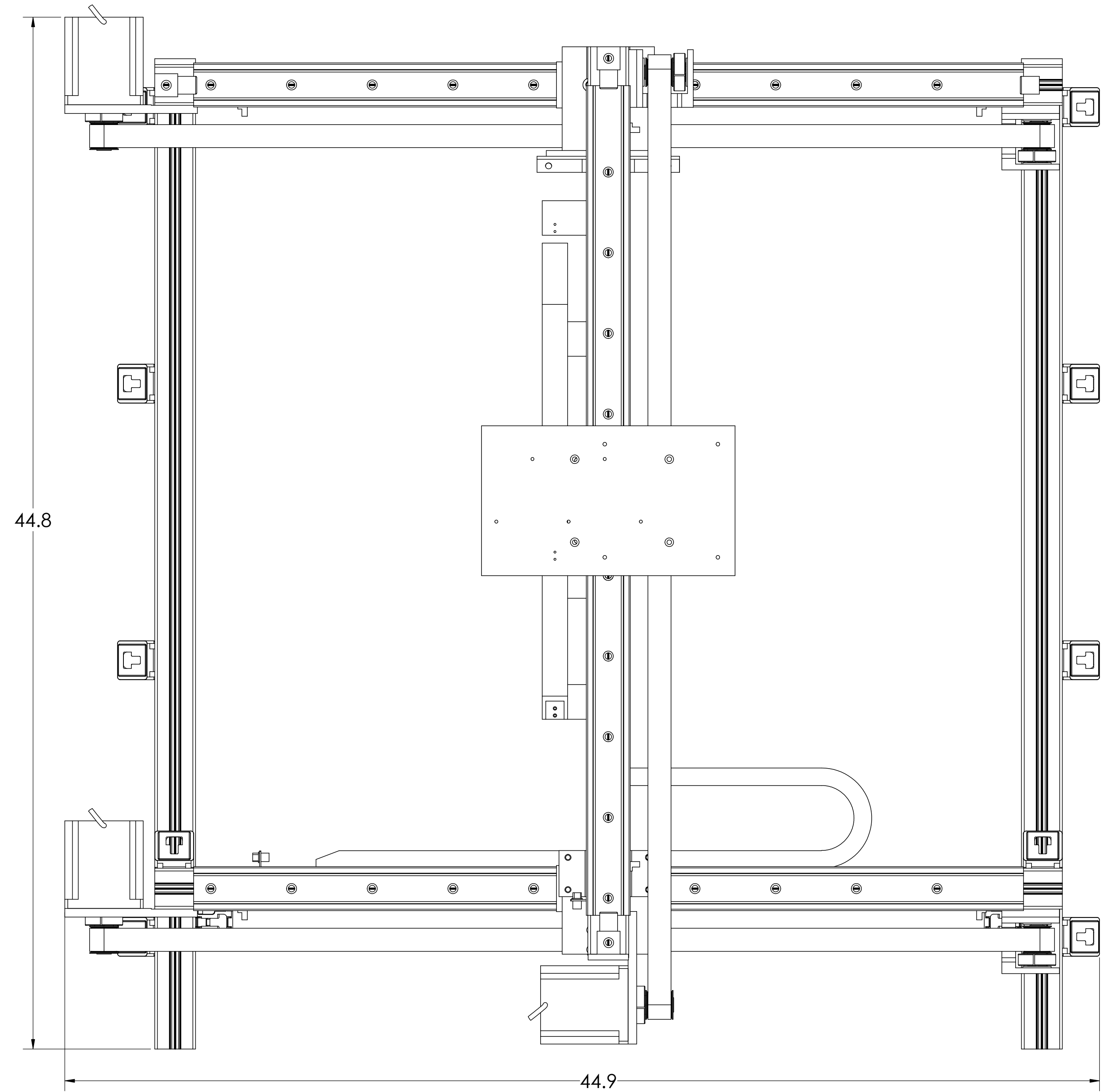
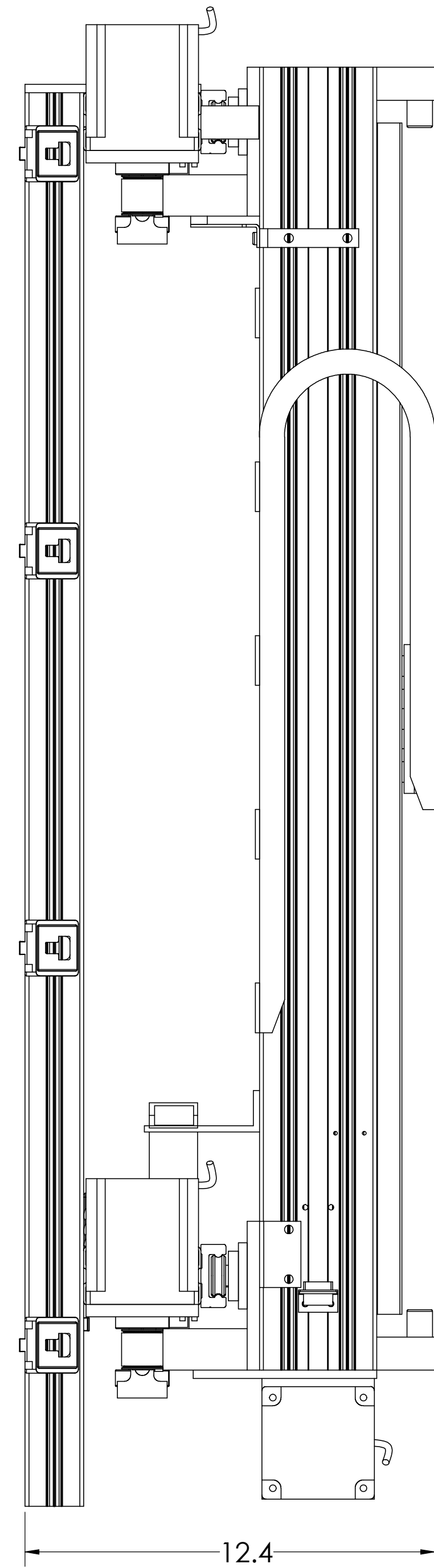


| UNLESS SPECIFIED OTHERWISE: | | | | MATERIAL | | FINISH | | TOLERANCE | | TITLE | |
|------------------------------------|--|--|--|---------------------|--|--------|--|-----------|--|-------------------------------|--|
| All dimensions are in inches. | | | | 303 STAINLESS STEEL | | PBRN | | ±.005 | | Belt Driven Positioning Stage | |
| Standard Tolerances per ASME Y14.5 | | | | 303 STAINLESS STEEL | | PBRN | | ±.005 | | 30in x 30 Belt H-Gantry | |
| XX - .010 FELLOWS AND | | | | 303 STAINLESS STEEL | | PBRN | | ±.005 | | DWG# 45-0262 | |
| X - .005 FELLOWS AND | | | | 303 STAINLESS STEEL | | PBRN | | ±.005 | | REV --- | |
| S - .002 FELLOWS AND | | | | 303 STAINLESS STEEL | | PBRN | | ±.005 | | SHEET 1 of 4 | |
| Remove All Burrs and Sharp Edges | | | | 303 STAINLESS STEEL | | PBRN | | ±.005 | | DATE 9-26-12 | |

H2W Technologies, Inc.
 26470 Rafter Ave #102 Santa Clara, CA 95050 USA
 Tel: (661) 251-2081 Fax: (661) 251-2067
 www.h2wtech.com

These drawings and specifications are the property of H2W Technologies, Inc. They are provided in confidence and shall not be reproduced, copied, or used without written permission from H2W Technologies, Inc.

WALL MOUNT



H2W Technologies, Inc.
26470 Rafter Ave #102 Santa Clara, CA 95050 USA
Tel: (661) 251-2081 Fax: (661) 251-2067
www.h2wtech.com

TITLE: Belt Driven Positioning Stage
30in x 30 Belt H-Gantry
DWG # 45-0262 REV: --- SHEET: 2 of 4

These drawings and specifications are the property of H2W Technologies, Inc. They are provided in confidence and shall not be reproduced, copied, or used without written permission from H2W Technologies, Inc.

